

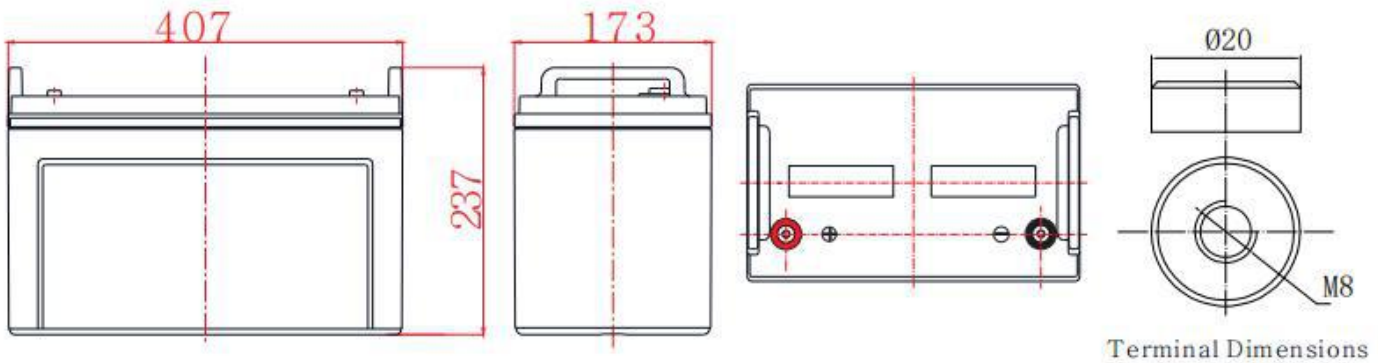
General Features

- ▶ High corrosion resistant performance: Pb-Ca multi-alloy grid
- ▶ High energy density and power density
- ▶ Optimized capability of instant high-current discharging
- ▶ Excellent charge acceptance ability
- ▶ Excellent deep cycle discharge capability
- ▶ Strong high and low temperature performance
- ▶ Precision sealing technology
- ▶ Long life



Dimension: 407(L) × 173(W) × 237(H) × 237(TH)

Unit: mm



Terminal Dimensions

| Specification | |
|---|---|
| Nominal Voltage | 12V |
| Nominal Capacity | 120Ah |
| Design life | 10 years |
| Terminal | M8 |
| Approx. Weight | Approx 35.0kg (77.2lbs) |
| Container Material | ABS |
| short-circuit current | 2666A |
| Internal resistance(Full charged at 25°C:) | 4.5 mΩ |
| Self discharge | 3% of capacity declined per month at 25°C |
| Operating Temperature | |
| Discharge: | -20 ~50°C(-4~ 122°F) |
| Charge : | -20 ~50°C(-4~ 122°F) |
| Storage: | -20 ~50°C(-4~ 122°F) |
| Charge Method(25 °C) | |
| Charge current: | Max. 30.0A; Recom. 12A |
| Float charge: 13.5-13.8V | recom. 13.8V(-18mV/ °C) |
| Equalize charge: 13.8-14.1V | recom. 14.1V(-24mV/ °C) |
| Cycle charge: 14.4-15.0V | recom. 14.7V(-30mV/ °C) |

Standards

Executive standard YD/T 799-2010

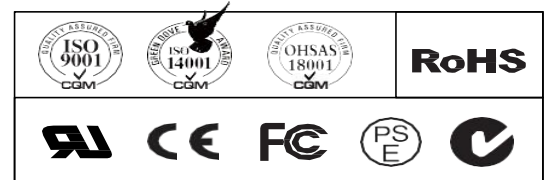
Applications

- ▶ UPS/EPS
- ▶ Power systems
- ▶ Telecommunications system
- ▶ Emergency lighting, Auto control system
- ▶ Solar/wind generating storage cyclic
- ▶ Other general purpose

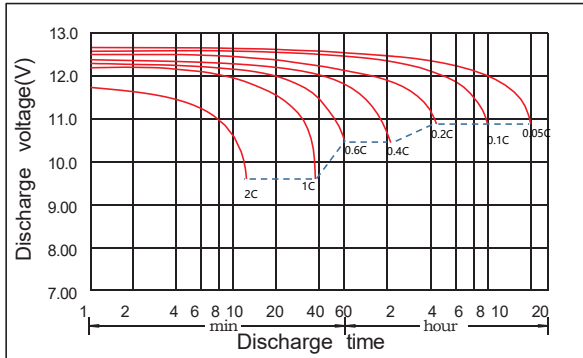
Rated Capacity

| | |
|------------------------------|---------|
| 10Hour Rate (12.0A to 10.8V) | 120.0Ah |
| 3Hour Rate (32.5A to 10.2V) | 97.5Ah |
| 1Hour Rate (73.8A to 9.6V) | 73.8Ah |

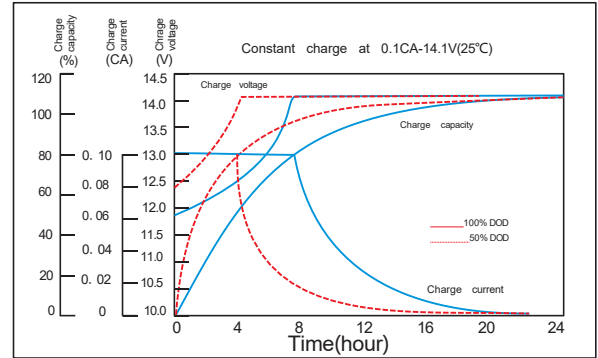
Attain Certificate



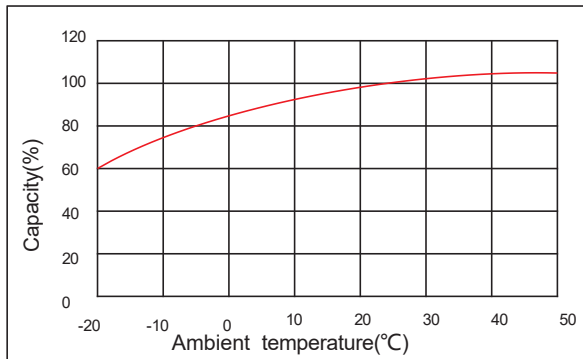
Discharge characteristic



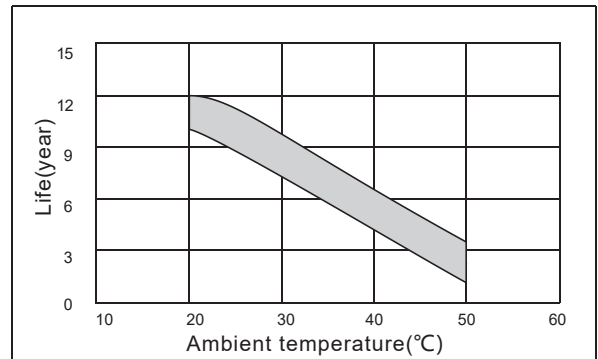
Charging characteristic



The effect of temperature on capacity



The effect of temperature on float life



Constant Current Discharge Characteristics Unit:A (25°C,77°F)

| FV/Time | 5min | 10min | 15min | 30min | 45min | 1h | 1.5h | 2h | 3h | 4h | 5h | 6h | 8h | 10h | 20h |
|---------|------|-------|-------|-------|-------|------|------|------|------|------|------|------|------|------|------|
| 1.60V | 306 | 268 | 203 | 120 | 94.8 | 73.8 | 50.7 | 46.5 | 33.4 | 24.2 | 22.4 | 17.9 | 14.7 | 12.4 | 6.38 |
| 1.65V | 301 | 260 | 193 | 118 | 93.6 | 73.5 | 50.1 | 45.9 | 33.1 | 23.9 | 22.2 | 17.7 | 14.6 | 12.3 | 6.29 |
| 1.70V | 289 | 258 | 190 | 116 | 92.4 | 72.9 | 49.5 | 45.3 | 32.5 | 23.7 | 22.0 | 17.6 | 14.5 | 12.2 | 6.20 |
| 1.75V | 266 | 248 | 188 | 115 | 91.8 | 72.0 | 49.2 | 44.7 | 32.2 | 23.5 | 21.8 | 17.4 | 14.4 | 12.1 | 6.11 |
| 1.80V | 238 | 230 | 172 | 110 | 88.2 | 70.0 | 48.6 | 43.8 | 31.9 | 23.3 | 21.1 | 17.2 | 14.2 | 12.0 | 6.02 |
| 1.85V | 212 | 214 | 156 | 100 | 81.1 | 65.0 | 47.1 | 41.7 | 30.1 | 22.6 | 20.1 | 16.7 | 13.7 | 11.7 | 5.87 |

Constant Power Discharge Characteristics Unit: W/cell (25°C ,77°F)

| FV/Time | 5min | 10min | 15min | 30min | 45min | 1h | 1.5h | 2h | 3h | 4h | 5h | 6h | 8h | 10h | 20h |
|---------|------|-------|-------|-------|-------|-----|------|------|------|------|------|------|------|------|------|
| 1.60V | 520 | 469 | 365 | 216 | 175 | 141 | 98.3 | 90.2 | 64.7 | 46.9 | 43.5 | 34.9 | 28.6 | 24.2 | 12.5 |
| 1.65V | 512 | 455 | 347 | 212 | 173 | 140 | 97.1 | 89.0 | 64.2 | 46.4 | 43.1 | 34.6 | 28.5 | 24.0 | 12.3 |
| 1.70V | 491 | 452 | 343 | 209 | 171 | 139 | 96.0 | 87.8 | 63.0 | 45.9 | 42.6 | 34.1 | 28.3 | 23.8 | 12.1 |
| 1.75V | 452 | 434 | 339 | 207 | 170 | 138 | 95.4 | 86.6 | 62.4 | 45.6 | 42.2 | 33.8 | 28.1 | 23.6 | 12.0 |
| 1.80V | 404 | 403 | 310 | 198 | 163 | 134 | 94.2 | 85.0 | 61.9 | 45.2 | 41.0 | 33.3 | 27.8 | 23.4 | 11.8 |
| 1.85V | 363 | 377 | 282 | 182 | 151 | 125 | 91.8 | 81.4 | 58.7 | 44.0 | 39.2 | 32.5 | 26.8 | 22.9 | 11.6 |