

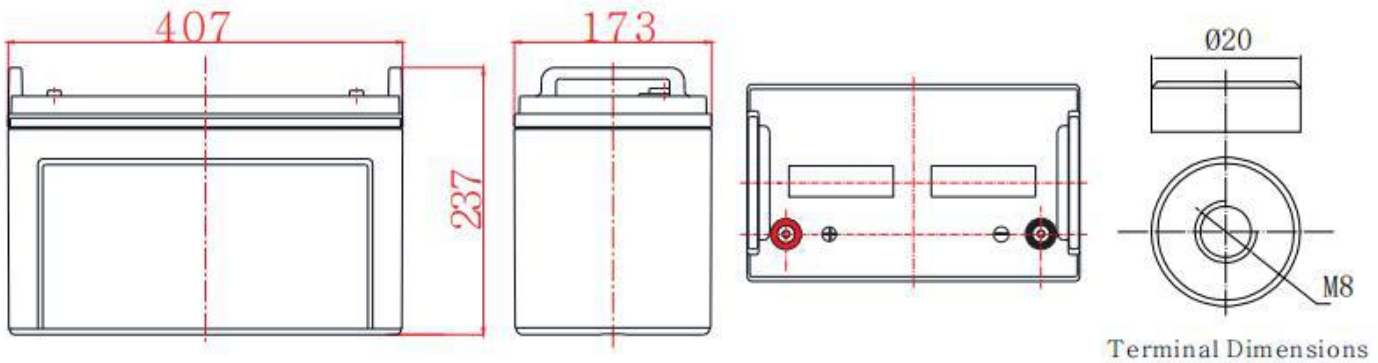
## General Features

- ▶ High corrosion resistant performance: Pb-Ca multi-alloy grid
- ▶ High energy density and power density
- ▶ Optimized capability of instant high-current discharging
- ▶ Excellent charge acceptance ability
- ▶ Excellent deep cycle discharge capability
- ▶ Strong high and low temperature performance
- ▶ Precision sealing technology
- ▶ Long life



**Dimension: 407(L) × 173(W) × 237(H) × 237(TH)**

**Unit: mm**



Terminal Dimensions

Specification	
Nominal Voltage	12V
Nominal Capacity	120Ah
Design life	10 years
Terminal	M8
Approx. Weight	Approx 37.2kg (82.1lbs)
Container Material	ABS
short-circuit current	2857A
Internal resistance(Full charged at 25°C: )	4.2 mΩ
Self discharge	3% of capacity declined per month at 25°C
Operating Temperature	
Discharge:	-20 ~50°C(-4~ 122°F)
Charge :	-20 ~50°C(-4~ 122°F)
Storage:	-20 ~50°C(-4~ 122°F)
Charge Method(25 °C)	
Charge current:	Max. 30.0A; Recom.12A
Float charge:13.5-13.8V	recom.13.8V(-18mV/ °C)
Equalize charge:13.8-14.1V	recom.14.1V(-24mV/ °C)
Cycle charge:14.4-15.0V	recom.14.7V(-30mV/ °C)

## Standards

Executive standard YD/T 799-2010

## Applications

- ▶ UPS/EPS
- ▶ Power systems
- ▶ Telecommunications system
- ▶ Emergency lighting, Auto control system
- ▶ Solar/wind generating storage cyclic
- ▶ Other general purpose

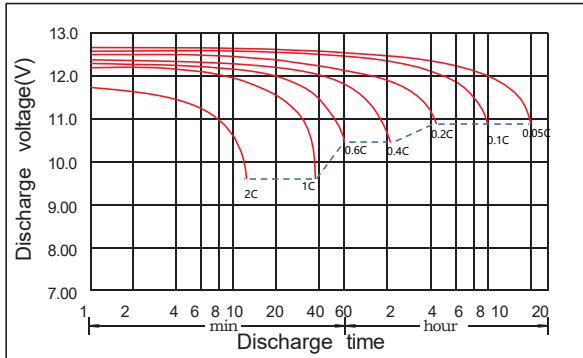
## Rated Capacity

10Hour Rate (12.0A to 10.8V)	120.0Ah
3Hour Rate (32.7A to 10.2V)	98.1Ah
1Hour Rate (74.8A to 9.6V)	74.8Ah

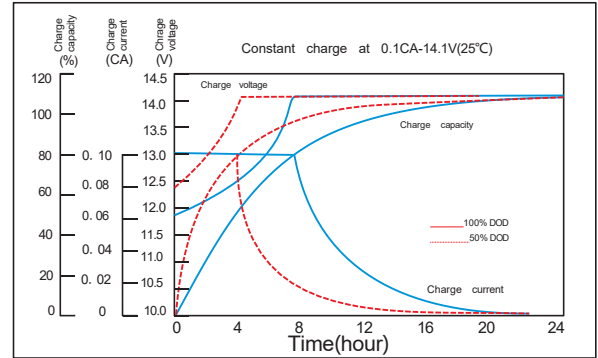
## Attain Certificate



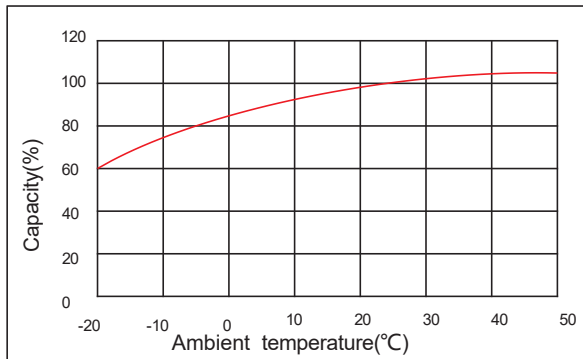
## Discharge characteristic



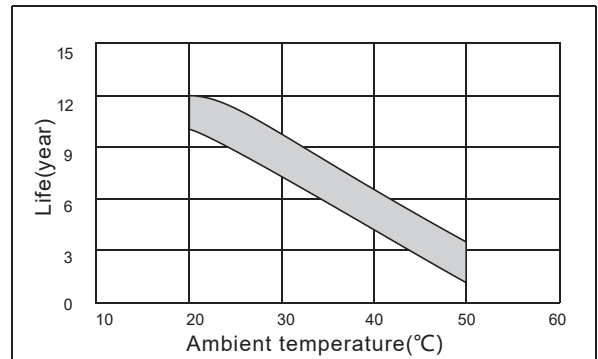
## Charging characteristic



## The effect of temperature on capacity



## The effect of temperature on float life



### Constant Current Discharge Characteristics Unit:A (25°C,77°F)

FV/Time	5min	10min	15min	30min	45min	1h	1.5h	2h	3h	4h	5h	6h	8h	10h	20h
1.60V	306	270	204	122	95.4	74.8	51.0	46.8	33.6	24.3	22.6	18.0	14.8	12.5	6.42
1.65V	301	262	194	120	94.2	74.5	50.4	46.2	33.3	24.1	22.4	17.9	14.7	12.4	6.33
1.70V	289	260	192	118	93.0	73.9	49.8	45.6	32.7	23.9	22.1	17.7	14.6	12.3	6.24
1.75V	266	250	190	117	92.4	73.0	49.5	45.0	32.4	23.7	21.9	17.5	14.5	12.2	6.15
1.80V	238	232	173	112	88.8	70.9	48.9	44.1	32.1	23.4	21.3	17.3	14.3	12.0	6.06
1.85V	212	216	157	102	81.6	65.9	47.4	42.0	30.3	22.7	20.2	16.8	13.8	11.7	5.91

### Constant Power Discharge Characteristics Unit: W/cell (25°C ,77°F )

FV/Time	5min	10min	15min	30min	45min	1h	1.5h	2h	3h	4h	5h	6h	8h	10h	20h
1.60V	520	473	367	220	176	143	98.9	90.8	65.2	47.2	43.8	35.1	28.8	24.3	12.6
1.65V	512	458	349	216	174	142	97.8	89.6	64.6	46.7	43.4	34.8	28.7	24.2	12.4
1.70V	491	455	345	212	172	141	96.6	88.4	63.4	46.2	42.9	34.3	28.5	24.0	12.2
1.75V	452	437	341	210	171	139	96.0	87.2	62.9	45.9	42.4	34.0	28.3	23.7	12.1
1.80V	404	406	312	201	164	135	94.9	85.6	62.3	45.5	41.3	33.5	28.0	23.4	11.9
1.85V	363	380	284	185	152	126	92.4	81.9	59.1	44.3	39.4	32.8	27.0	22.9	11.6