

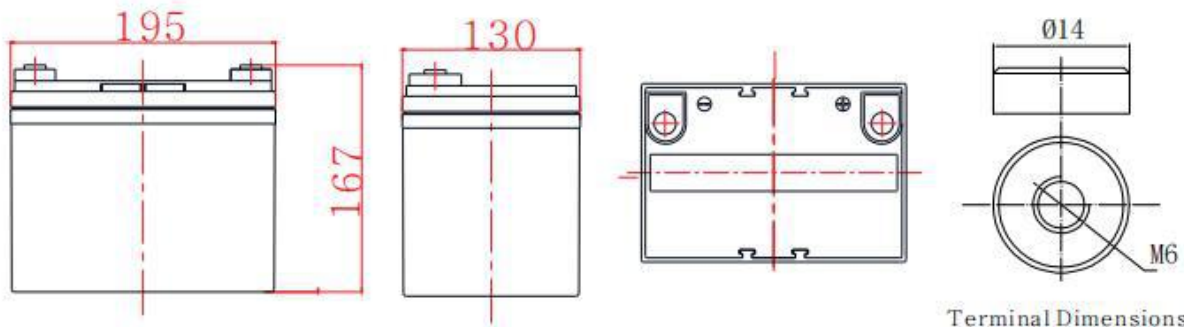
General Features

- ▶ High corrosion resistant performance: Pb-Ca multi-alloy grid
- ▶ High energy density and power density
- ▶ Optimized capability of instant high-current discharging
- ▶ Excellent charge acceptance ability
- ▶ Excellent deep cycle discharge capability
- ▶ Strong high and low temperature performance
- ▶ Precision sealing technology
- ▶ Long life



Dimension: 195(L) × 130(W) × 163(H) × 167(TH)

Unit: mm



Specification	
Nominal Voltage	12V
Nominal Capacity	34Ah
Design life	10 years
Terminal	M6
Approx. Weight	Approx 11.5kg (25.4lbs)
Container Material	ABS
short-circuit current	1333A
Internal resistance(Full charged at 25°C:)	9.0 mΩ
Self discharge	3% of capacity declined per month at 25°C
Operating Temperature	
Discharge:	-20 ~50°C(-4~ 122°F)
Charge :	-20 ~50°C(-4~ 122°F)
Storage:	-20 ~50°C(-4~ 122°F)
Charge Method(25 °C)	
Charge current:	Max. 8.5A;Recom.3.4A
Float charge:13.5-13.8V	recom.13.8V(-18mV/ °C)
Equalize charge:13.8-14.1V	recom.14.1V(-24mV/ °C)
Cycle charge:14.4-15.0V	recom.14.7V(-30mV/ °C)

Standards

Executive standard YD/T 799-2010

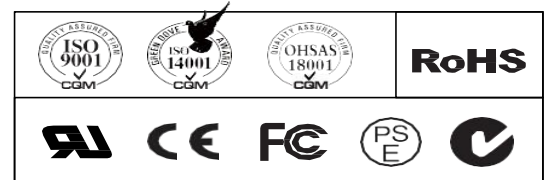
Applications

- ▶ UPS/EPS
- ▶ Power systems
- ▶ Telecommunications system
- ▶ Emergency lighting, Auto control system
- ▶ Solar/wind generating storage cyclic
- ▶ Other general purpose

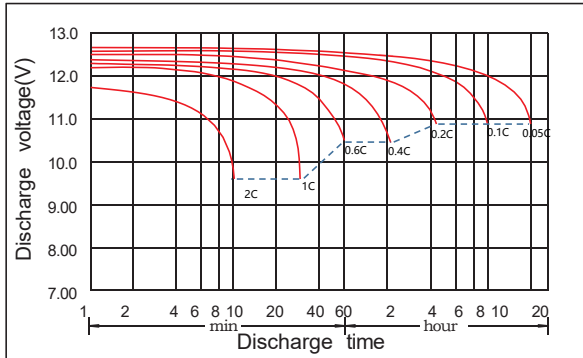
Rated Capacity

10Hour Rate (3.40A to 10.8V)	34.0Ah
3Hour Rate (9.30A to 10.2V)	27.9Ah
1Hour Rate (22.8A to 9.6V)	22.8Ah

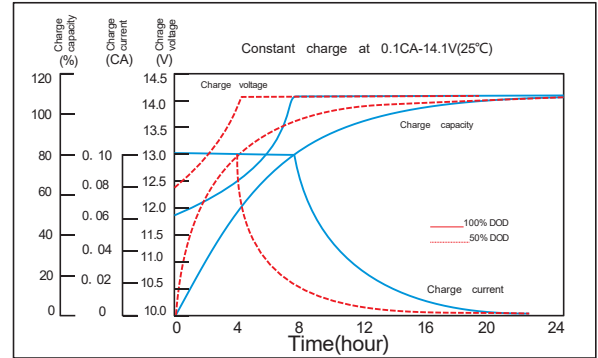
Attain Certificate



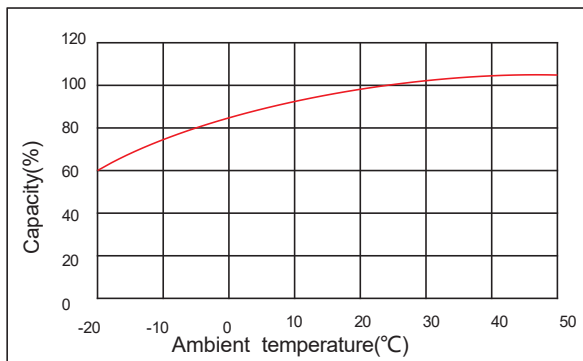
Discharge characteristic



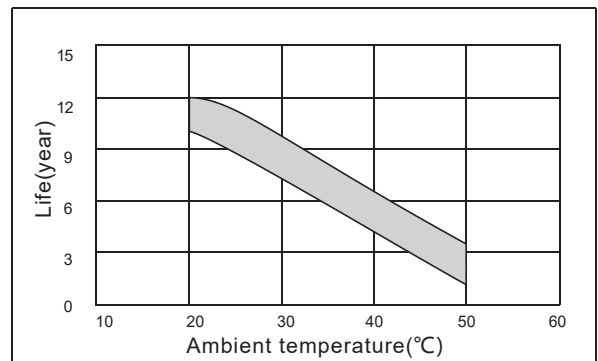
Charging characteristic



The effect of temperature on capacity



The effect of temperature on float life



Constant Current Discharge Characteristics Unit:A (25°C,77°F)

FV/Time	5min	10min	15min	30min	45min	1h	1.5h	2h	3h	4h	5h	6h	8h	10h	20h
1.60V	119	79.4	64.4	39.1	28.0	22.8	14.4	13.1	9.53	6.90	6.40	5.10	4.21	3.54	1.86
1.65V	117	79.1	62.5	38.6	27.9	22.7	14.3	13.1	9.42	6.84	6.32	5.06	4.16	3.51	1.85
1.70V	112	78.4	61.1	37.8	27.6	22.5	14.1	13.0	9.30	6.76	6.27	5.00	4.13	3.47	1.84
1.75V	103	77.4	59.1	37.5	27.3	22.2	13.9	12.8	9.20	6.69	6.20	4.94	4.10	3.43	1.84
1.80V	91.9	75.7	55.1	35.8	26.7	21.8	13.8	12.5	9.13	6.63	6.02	4.90	4.07	3.40	1.83
1.85V	82.0	70.0	49.2	32.7	24.7	20.1	13.4	11.9	8.60	6.42	5.73	4.75	3.90	3.29	1.80

Constant Power Discharge Characteristics Unit: W/cell (25°C ,77°F)

FV/Time	5min	10min	15min	30min	45min	1h	1.5h	2h	3h	4h	5h	6h	8h	10h	20h
1.60V	201	135	114	70.9	51.9	43.2	28.7	24.9	18.2	13.6	12.1	10.0	8.16	6.80	3.67
1.65V	193	134	112	70.1	51.5	42.9	28.4	24.8	18.0	13.5	12.0	9.87	8.10	6.73	3.66
1.70V	192	133	110	70.1	51.2	42.6	28.1	24.6	17.8	13.3	11.9	9.77	8.05	6.66	3.63
1.75V	180	132	109	69.8	50.7	42.3	27.8	24.5	17.7	13.2	11.9	9.67	7.99	6.60	3.61
1.80V	165	131	103	68.2	50.4	42.0	27.5	24.4	17.6	13.1	11.8	9.57	7.93	6.53	3.60
1.85V	148	122	92.4	62.6	46.7	39.0	27.1	23.4	16.8	12.9	11.3	9.43	7.65	6.43	3.57